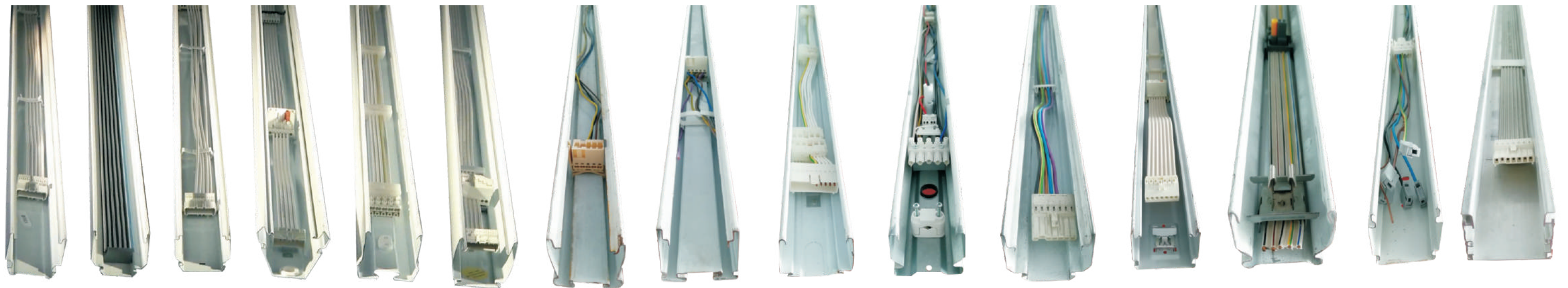


## PPL Click & Ready



# ONE FOR ALL

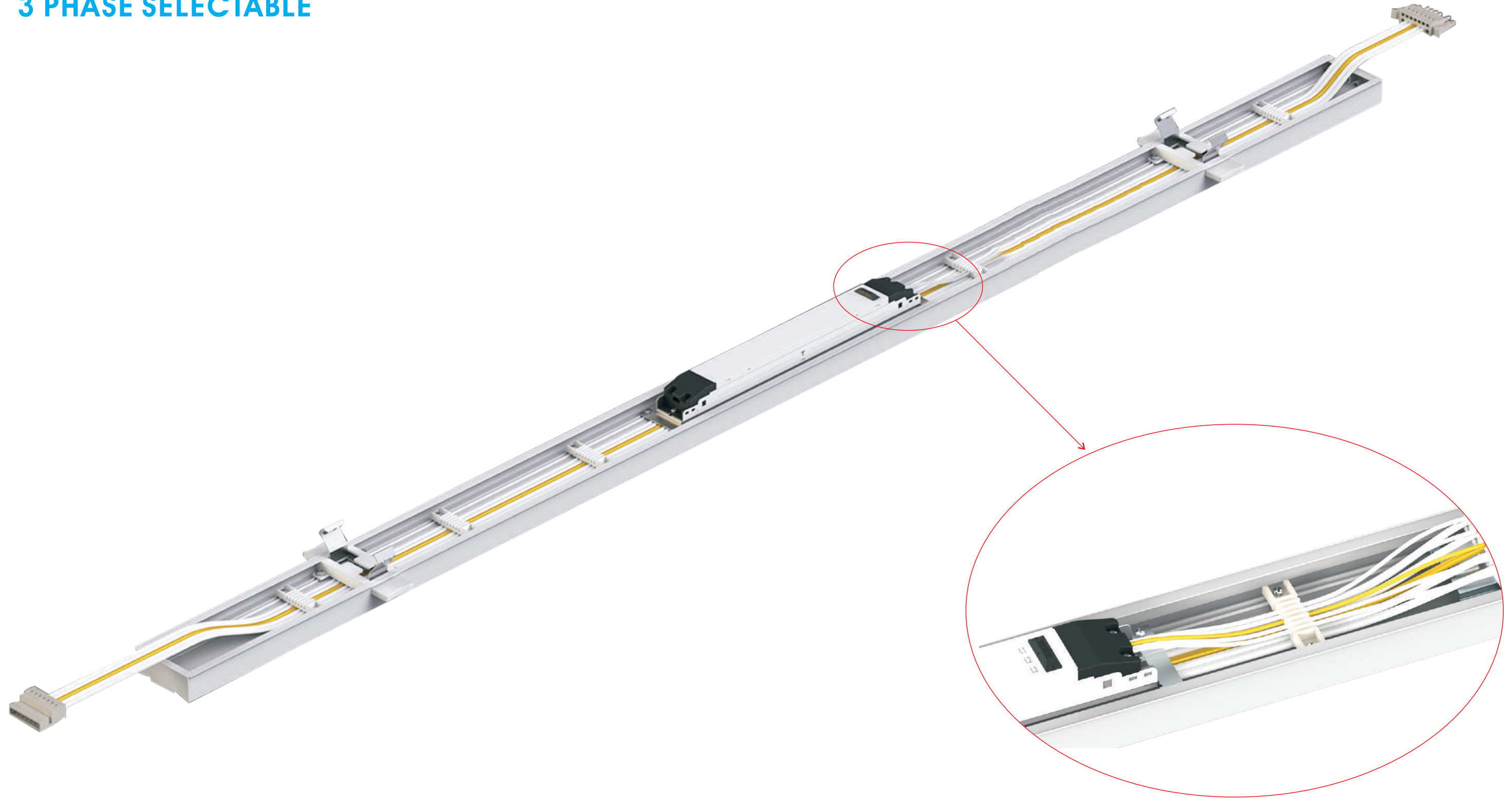
A Universal Retrofit module for All Trunk







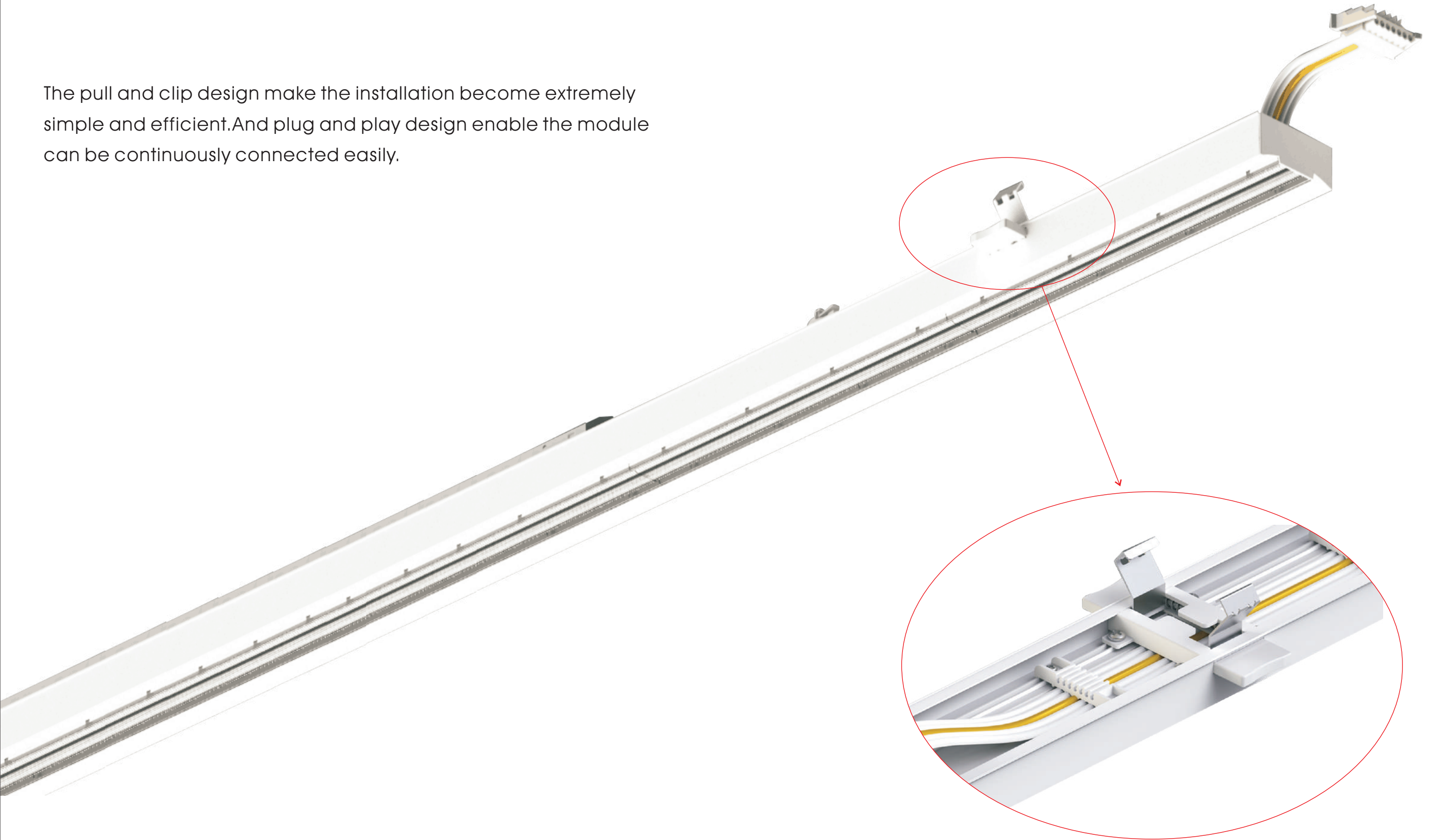
### 3 PHASE SELECTABLE



A innovative design on the driver to make it selectable to connect to L1 ,L2 or L3

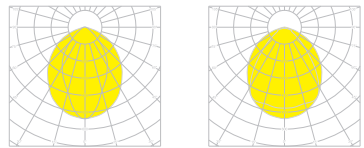
## PULL AND CLIP & PLUG AND PLAY

The pull and clip design make the installation become extremely simple and efficient. And plug and play design enable the module can be continuously connected easily.

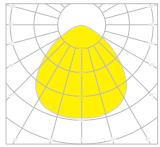


# OPTICAL LENS AND DIFFUSER DESIGN

60x110°    90x110°

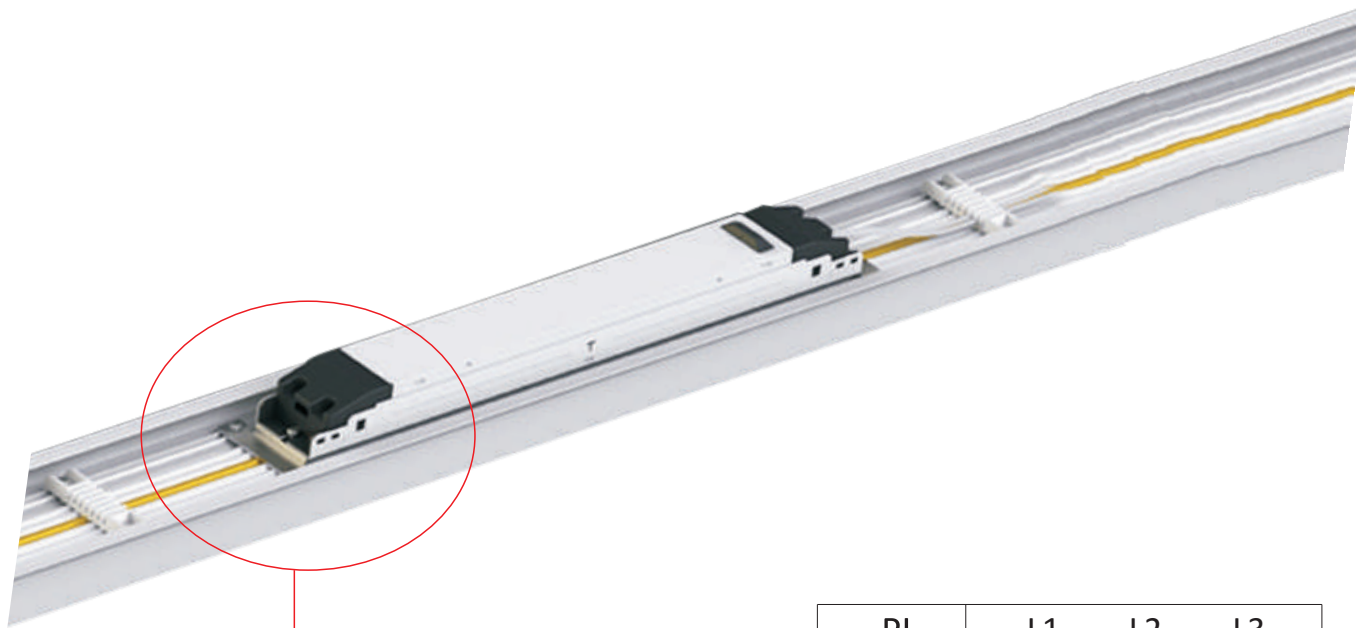


120°



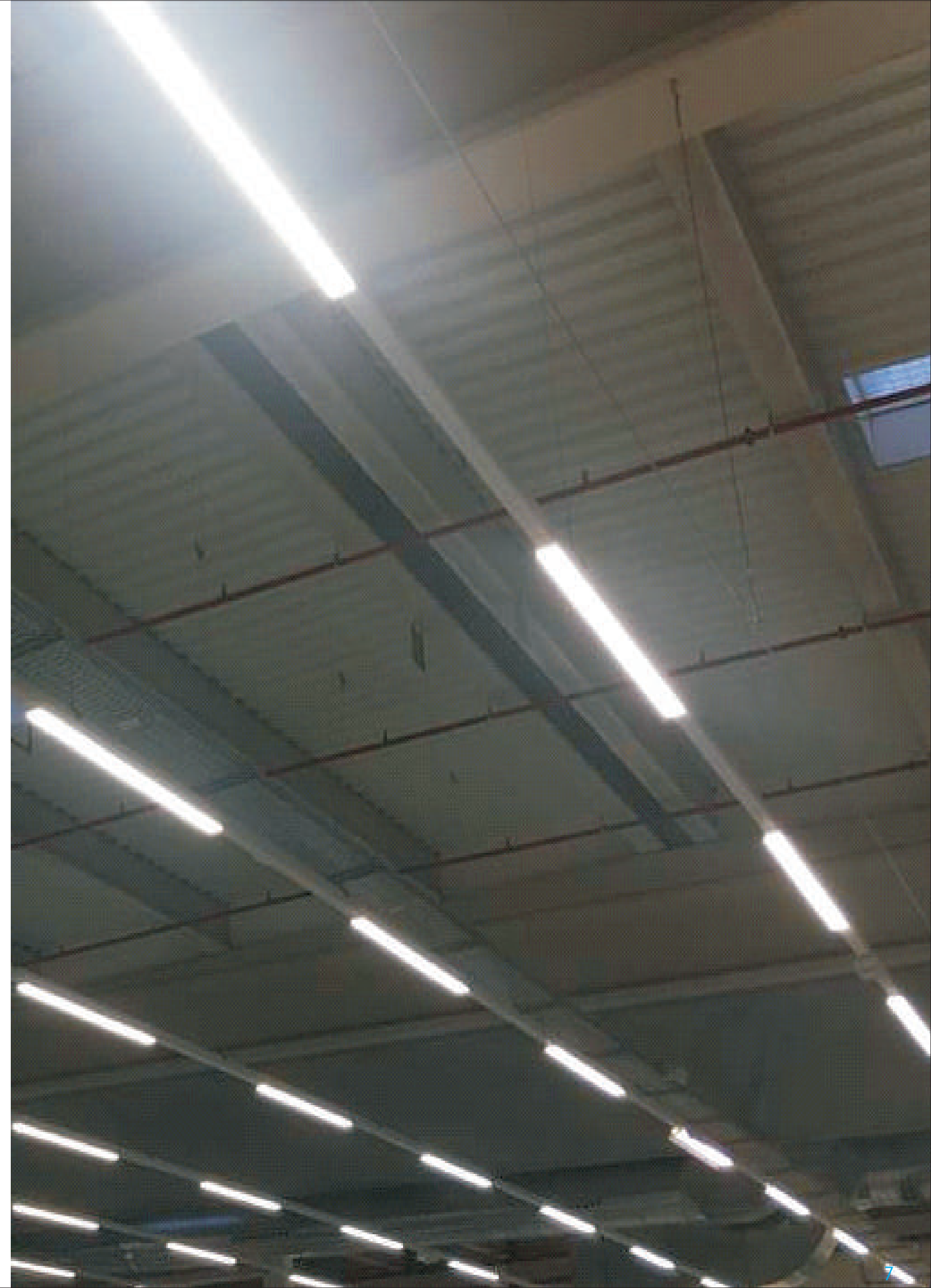


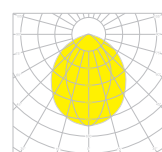
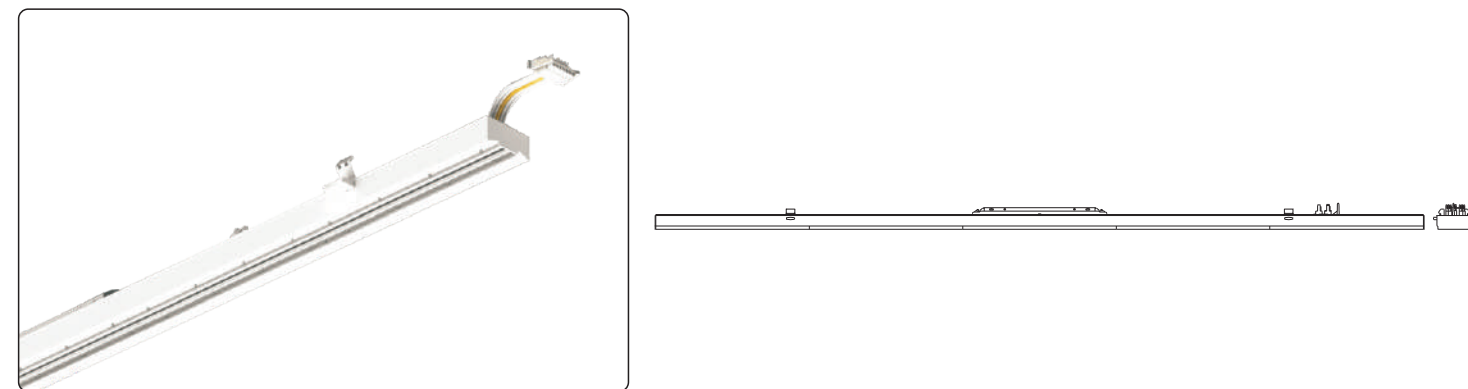
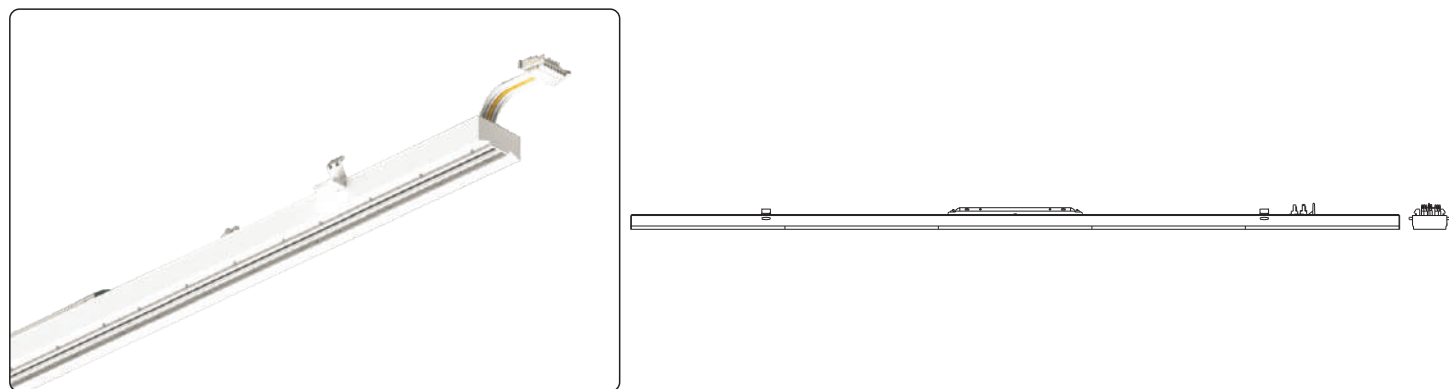
## POWER ADJUSTABLE BY DIP SWITCH DESIGN



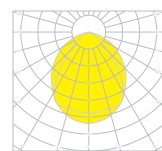
PI	L1	L2	L3
75W	—	—	—
65W	ON	—	—
55W	—	ON	—
45W	ON	ON	—
40W	—	—	ON
35W	ON	—	ON
30W	—	ON	ON
25W	ON	ON	ON

Various power options. It's extremely easy to select the power range by setting the dip switch

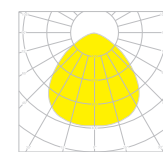




Model	Power	Beam angle	LM/W
UR1575R/D 60	25-75W	60x110°	150lm/w
UR1575R/D-SE 60	25-75W	60x110°	150lm/w



Model	Power	Beam angle	LM/W
UR1575R/D 90	25-75W	90x110°	150lm/w
UR1575R/D-SE 90	25-75W	90x110°	150lm/w



Model	Power	Beam angle	LM/W
UR1575R/D 120	25-75W	120°	150lm/w
UR1575R/D-SE120	25-75W	120°	150lm/w